



**Drafting Virtual Learning**

**HS Mechanical Drafting  
Design Lesson 3**

**April 8 , 2020**

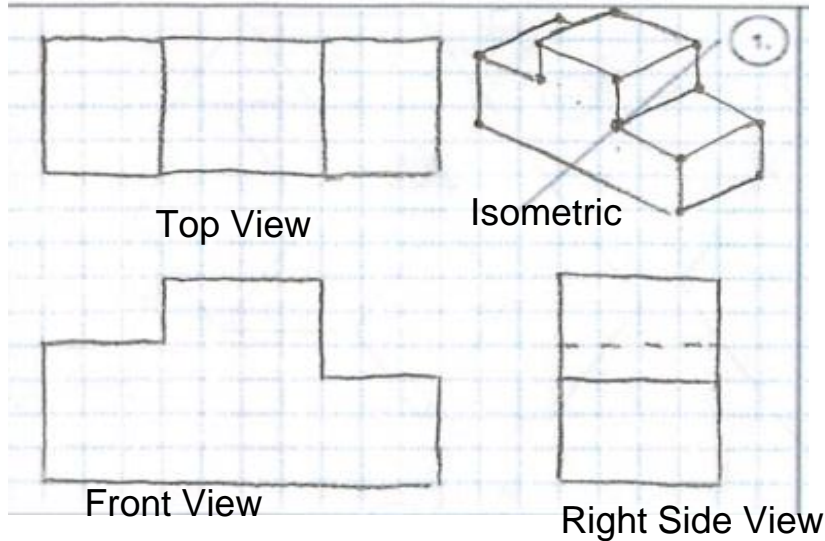


## **Objective/Learning Target:**

Students will continue to Draw Complex Multi-View Sheet Drawings with Isometrics.

## Bellwork:

This example should be copied in your engineers notebook or on graph paper. Make sure you layout a Multi-View Sheet Drawing like this.



Multi-View Drawing Example

# Let's Get Started:

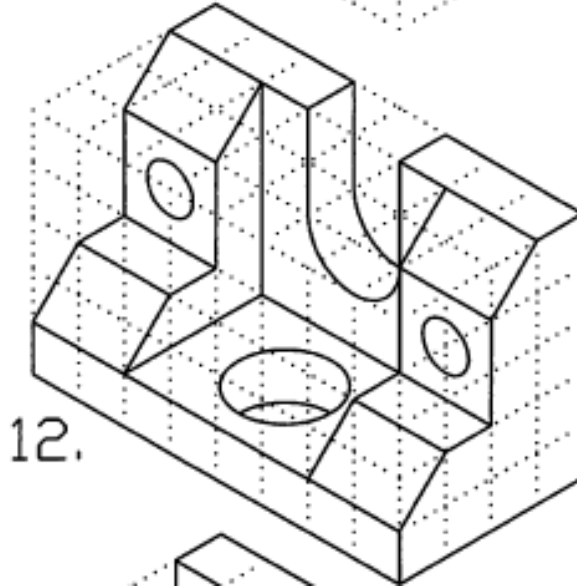
This video showed how to create multi-view drawings.

<https://www.youtube.com/watch?v=Evqg0L4KMI8>

Notice the placement of the Front, Top and Right Side Views in relation to the Isometric.

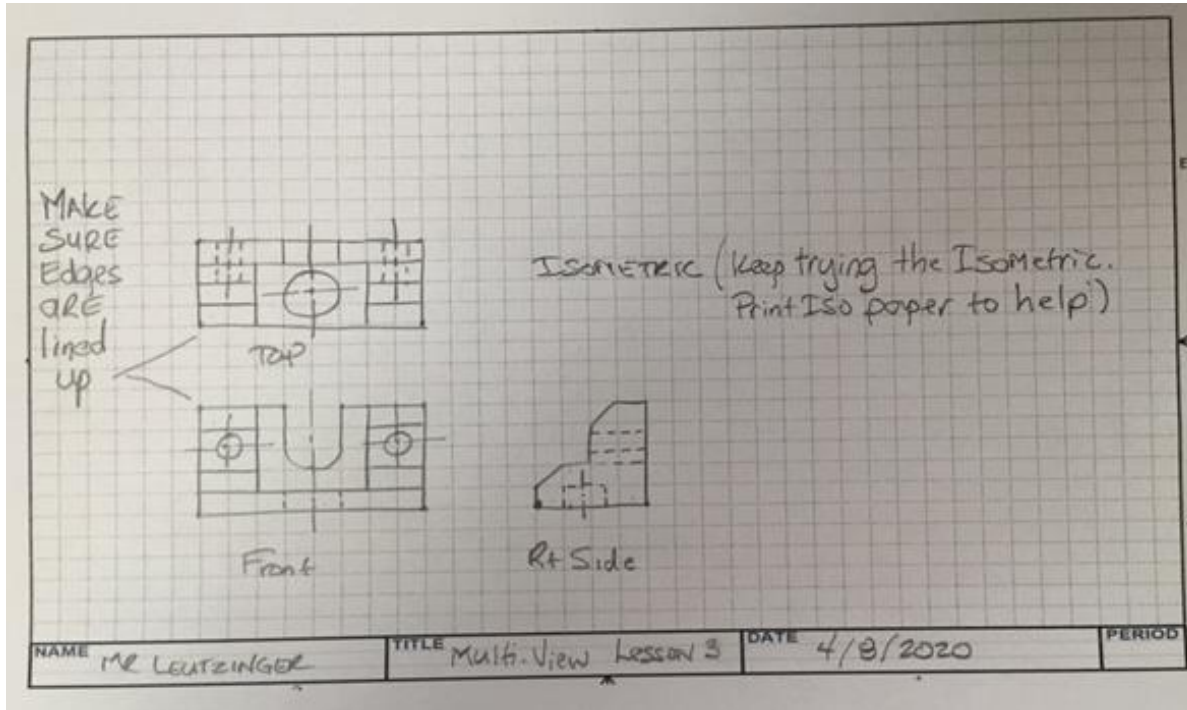
## Learning Practice:

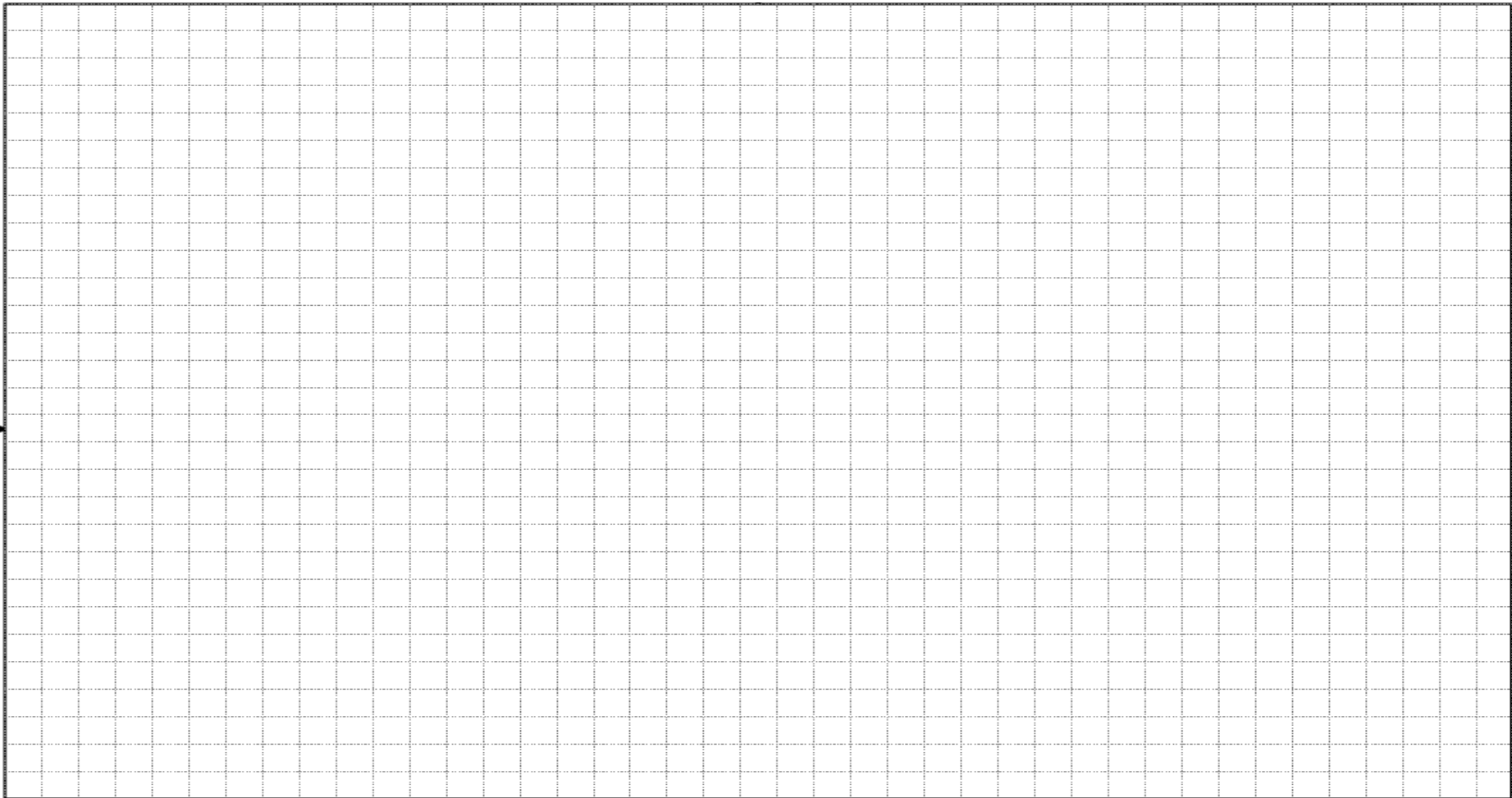
Create a Multi-View Sheet Drawing  
in Your Engineers Notebook or on the graph that you print  
from page 7 or the link provided on page 8.



# Check For Understanding:

Does your drawing look like this?





**NAME**

**TITLE**

**DATE**

**PERIOD**

## Learning Resource Links:

Multi-View Drawing Creation

<https://www.youtube.com/watch?v=Evqg0L4KMI8>

Grid and Isometric Graph paper

[https://www.printablepaper.net/category/isometric\\_graph](https://www.printablepaper.net/category/isometric_graph)